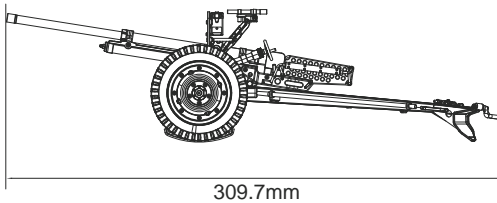
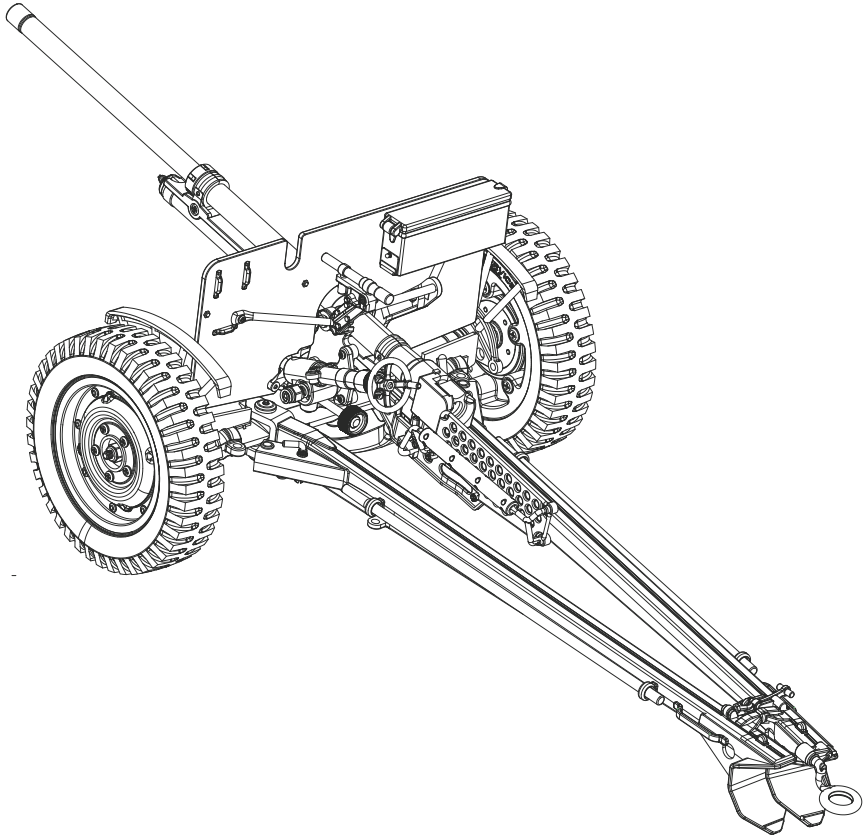
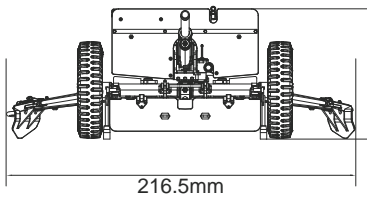


ROBOHOBBY

1/12 M3 ANTI-TANK GUN



309.7mm



216.5mm

82.5mm

M3 ANTI-TANK GUN

Since the appearance of tanks, they have been invincible across the land battlefield. How to effectively block the enemy's tanks has become one of the most urgent questions for front-line officers and soldiers alike. It must be small and light, can quickly transfer positions after each fire, have simple structure, ideally be operated by 3-4 people, and possess strong firepower with a good firing range able to take out enemy tanks at a distance of 1500m. The identified requirements from the battlefield resulted in the creation of the M3 anti-tank gun. The design concept of this artillery piece is not advanced, but it is extremely simple and reliable. The firepower of the 37mm caliber is not strong, but it is enough to give the opponent a fatal blow in an ambush type battle scenario. During the war in the Pacific the U.S. Marine Corps used both the M3 anti-tank guns and Browning water-cooled heavy machine guns together and it proved more than enough on several occasions to successfully deal with Japanese Type 95 light tanks and BANZAI charges. During the Battle for Saipan, the Marine Corps pushed the 37mm gun forward, providing sufficient fire support for the infantry and also caused extensive damage to Japanese machine gun emplacements and infantry troop concentrations. The benefits of the new lightweight M3 anti-tank gun on the European battlefield was also recognised and as such it was used very extensively. American soldiers routinely used their 1/4 ton 4x4 Utility vehicles to drag them around between locations, and Ambush troop units often knocked out German halftrack armored vehicles at a distance of more than 1,800 yards using the very effective artillery piece. The M3 was active in various battlefields during World War II and persisted until the end of the war, becoming one of the most widely used anti-tank guns in World War II.

In addition to restoring the appearance details of the M3 anti-tank gun, FMS model has made great effort to pay attention to detail and reproduce this historic artillery piece in a way that it can recreate many functions of the actual M3, in particular the ability to switch between being towed by vehicles or wheeled around by troops, and its combat state.

1. Detach the gun from the 1/4 ton 4x4 Utility Truck tow hook;
2. Rotate the turret brackets on both sides of the wheel down 180°;
3. Unfold the gun support legs;
4. Expand the gun shield;
5. Remove the pitch and direction mounts;
6. Adjust the pitch elevation of the gun precisely by rotating the gun elevation control clockwise/anti-clockwise;
7. Adjust the Left/Right firing direction of the gun by rotating the indicated control clockwise or anti-clockwise.

All action mechanisms are restored according to the real gun, completely simulating the entire gun operation process. After switching to the towing configuration you can even manoeuvre with the 1/4 ton 4x4 Utility Truck!

Whether it is "recreating a tactical ambush position", or posing for interesting short videos, the FMS M3 Anti-Tank Gun is sure to bring many hours of enjoyment for the Scale enthusiast and hobbyist alike.

坦克自诞生以来，便纵横陆地战场所向披靡，如入无人之境。如何有效阻击敌军坦克成为前线官兵最迫切的问题。她必须小巧轻便，发射后可以快速转移阵地；结构简单，3-4人便可以操作；火力强大，要在1500m外对敌军坦克构成威胁。M3反坦克炮便在这种背景下应运而生。这门火炮设计理念谈不上先进，但极为简单可靠，37mm口径的火力也谈不上强，但足以在伏击战中给对手致命一击。尤其是在太平洋战场，美国海军陆战队将M3反坦克炮和勃朗宁水冷重机枪搭配使用，对付日军九五式轻战车和自杀冲锋可以说是绰绰有余了。塞班岛战役中的海军陆战队推着这款37毫米炮向前推进，为步兵提供了足够的火力支援，对日军的机枪阵地和大量步兵造成了极大的杀伤。在欧洲战场上的M3反坦克炮轻便的优势被发挥到极致，美国大兵用吉普车拖着她像田鼠一样到处跑。伏击小队经常在1800码以外的距离击毁德军履带运输车。纵观历史，M3活跃于二战时期的各个战场，一直坚持到大战结束，成为二战中使用最为广泛的反坦克炮。

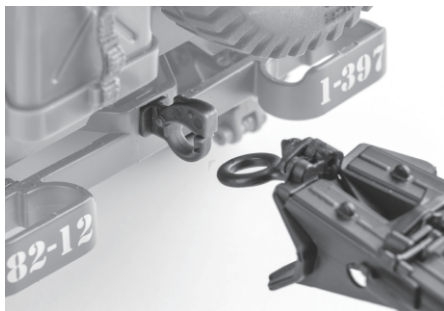
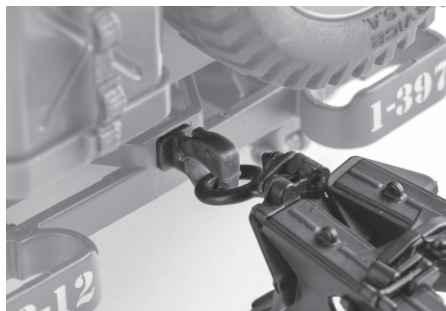
FMS这款模型除了还原M3反坦克炮的外观细节外，更在功能上下足了功夫，可以呈现一门火炮从行军状态到战斗状态的全部功能。

- 1、将火炮从吉普车拖钩上分离；
- 2、将车轮两侧的炮台支架向下旋转180°；
- 3、展开火炮助锄；
- 4、展开火炮防盾；
- 5、解除火炮俯仰和方向固定座；
- 6、使用高低机调整俯仰射界；
- 7、使用方向机调整方向射界；

所有动作机构均按实物结构还原，完整的模拟整个操炮过程。转换为行军状态后，更是可以和吉普车配合机动的，无论是搭配1/12人偶，重演快速穿插设伏的战术场景，还是摆拍趣味短视频，随你想象，乐趣无穷。

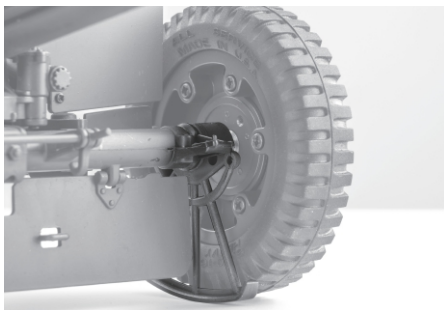
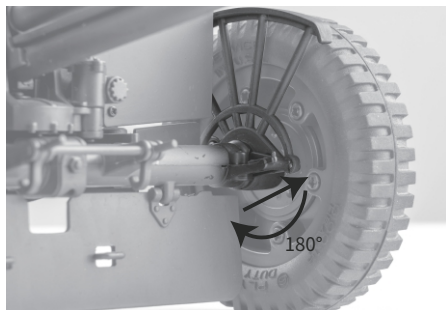
1. Detach the gun from the 1/4 ton 4x4 Utility Truck tow hook;

1. 将吉普车的拖钩打开分离火炮；

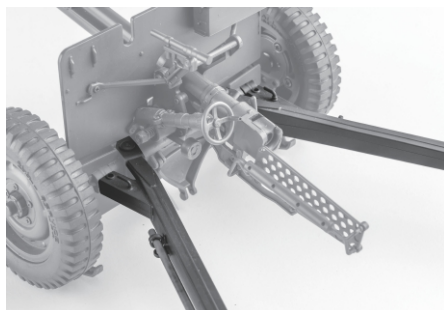
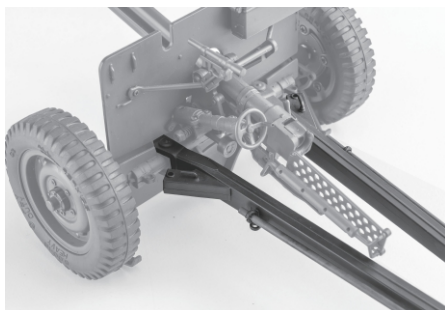
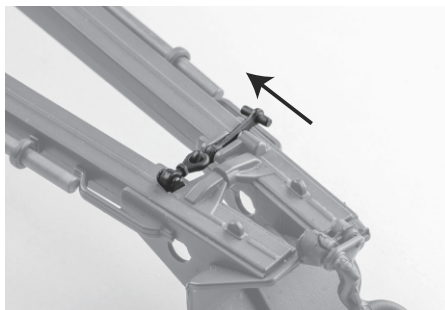


Rotate the turret brackets on both sides of the wheel down 180°;

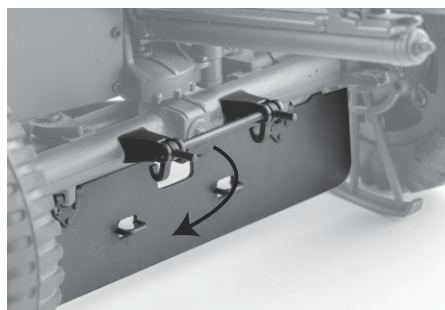
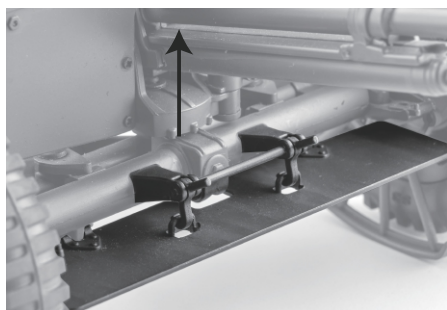
2. 将车轮两侧的炮台支架往外轻掰，然后向下旋转180°



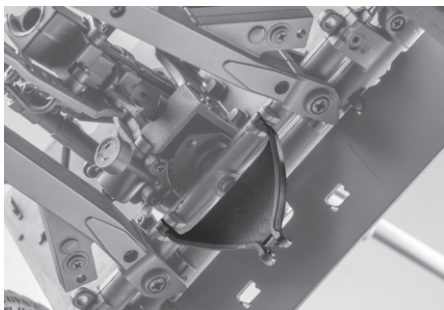
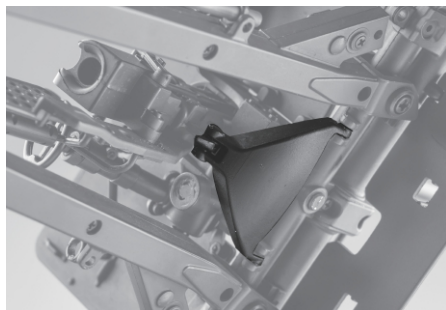
3. Unfold the gun support legs;
打开火炮助锄保险勾, 打开火炮大架



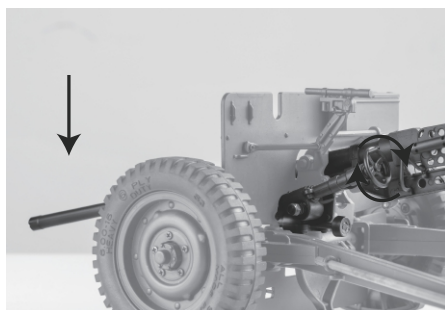
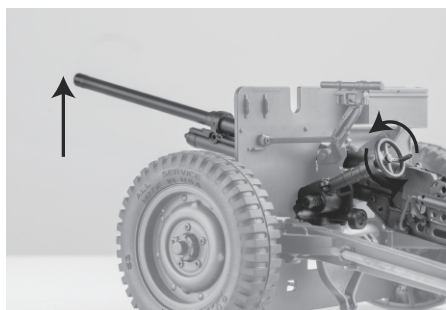
4. Expand the gun shield;
展开火炮防盾;



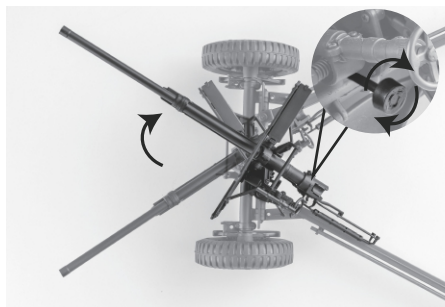
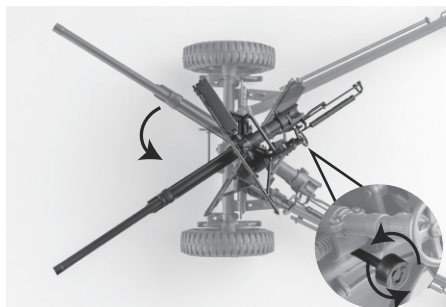
5. Remove the pitch and direction mounts;
解除火炮俯仰和方向固定座



6. Adjust the pitch elevation of the gun precisely by rotating the gun elevation control clockwise/anti-clockwise
使用高低机调整俯仰射界

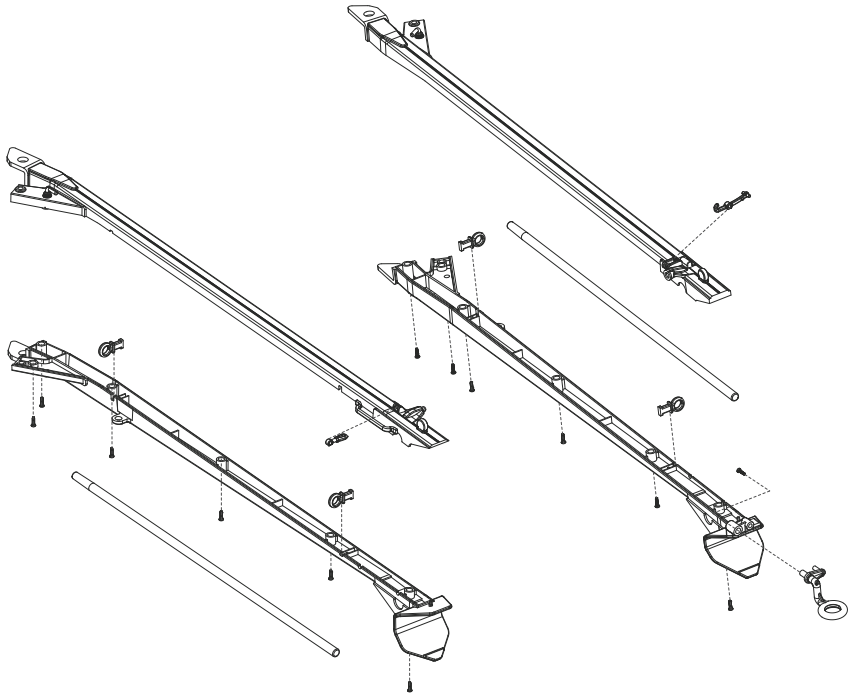


7. Adjust the Left/Right firing direction of the gun by rotating the indicated control clockwise or anti-clockwise
使用方向机调整方向射界



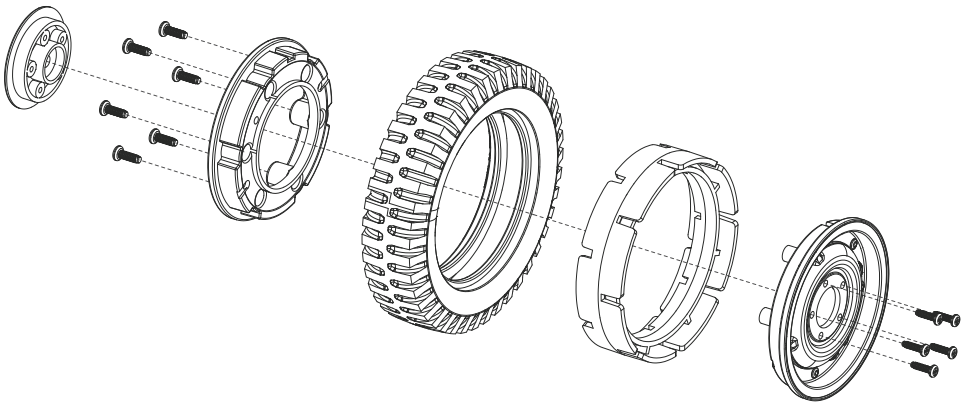
EN:Trail Set

CN:火炮大架



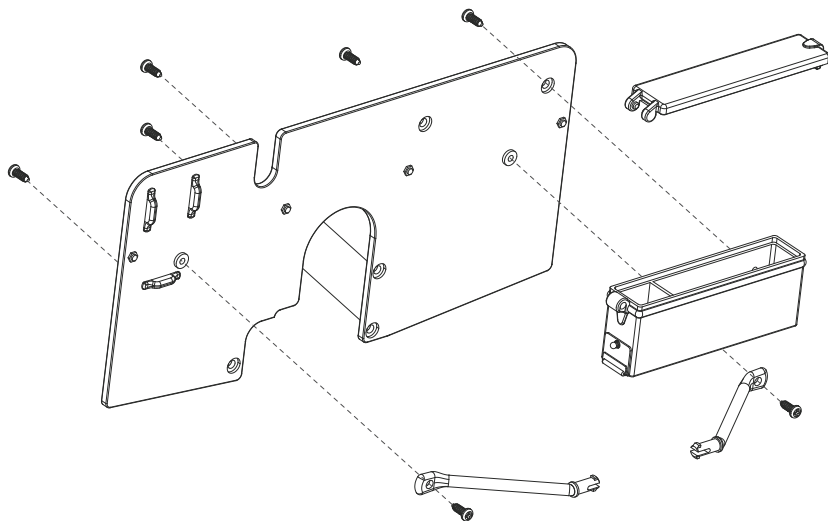
EN:Wheel Set

CN:轮胎总成



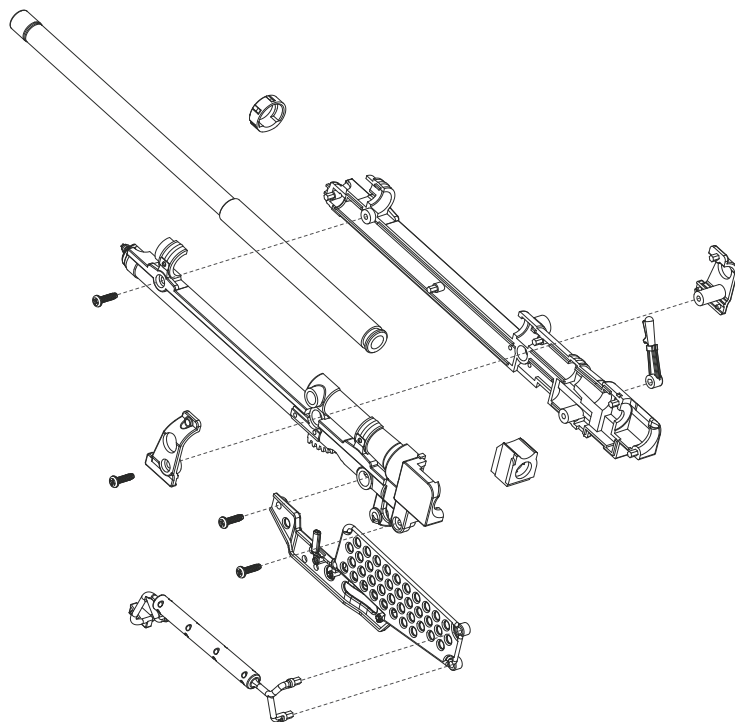
EN:Shield Set

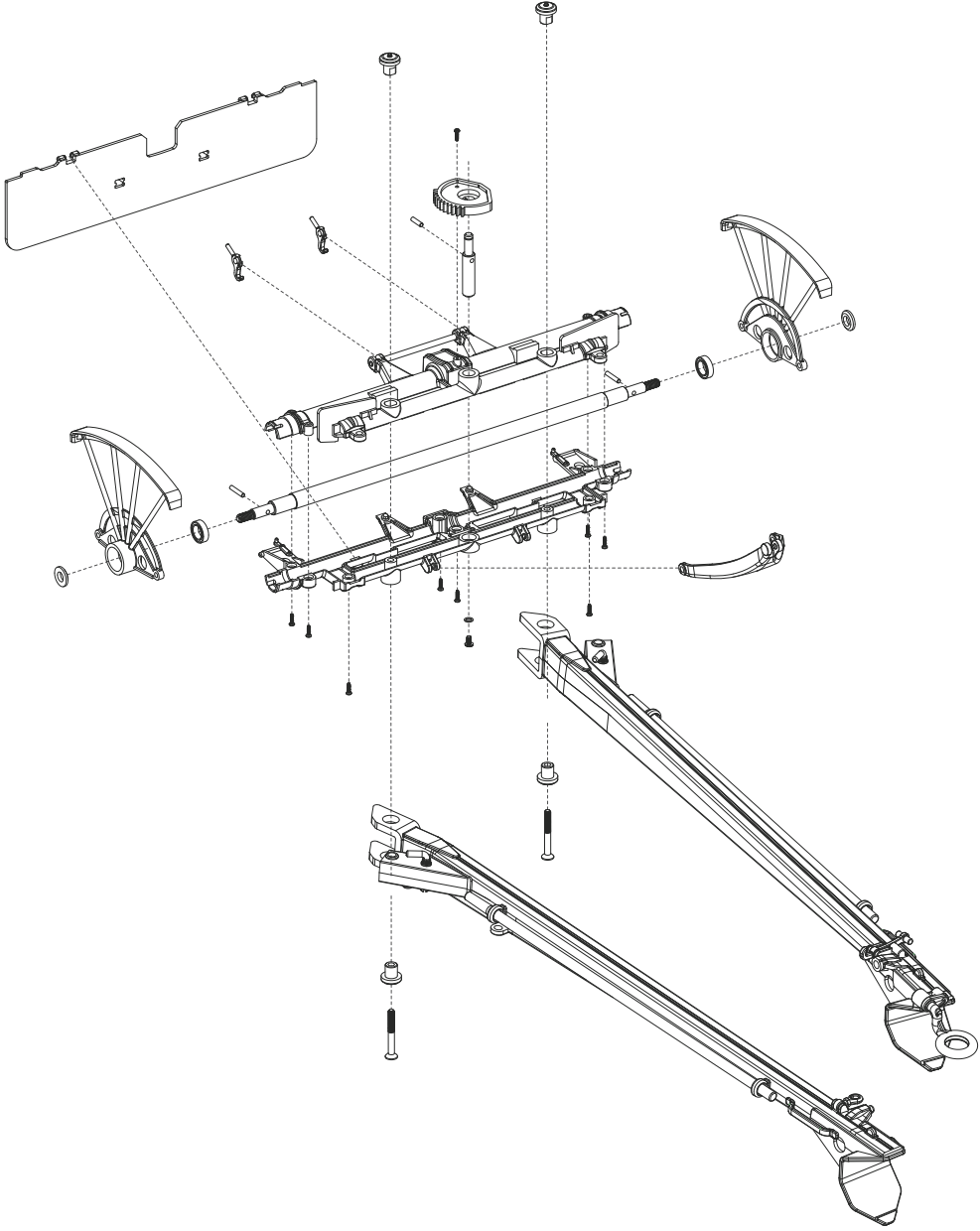
CN:防盾

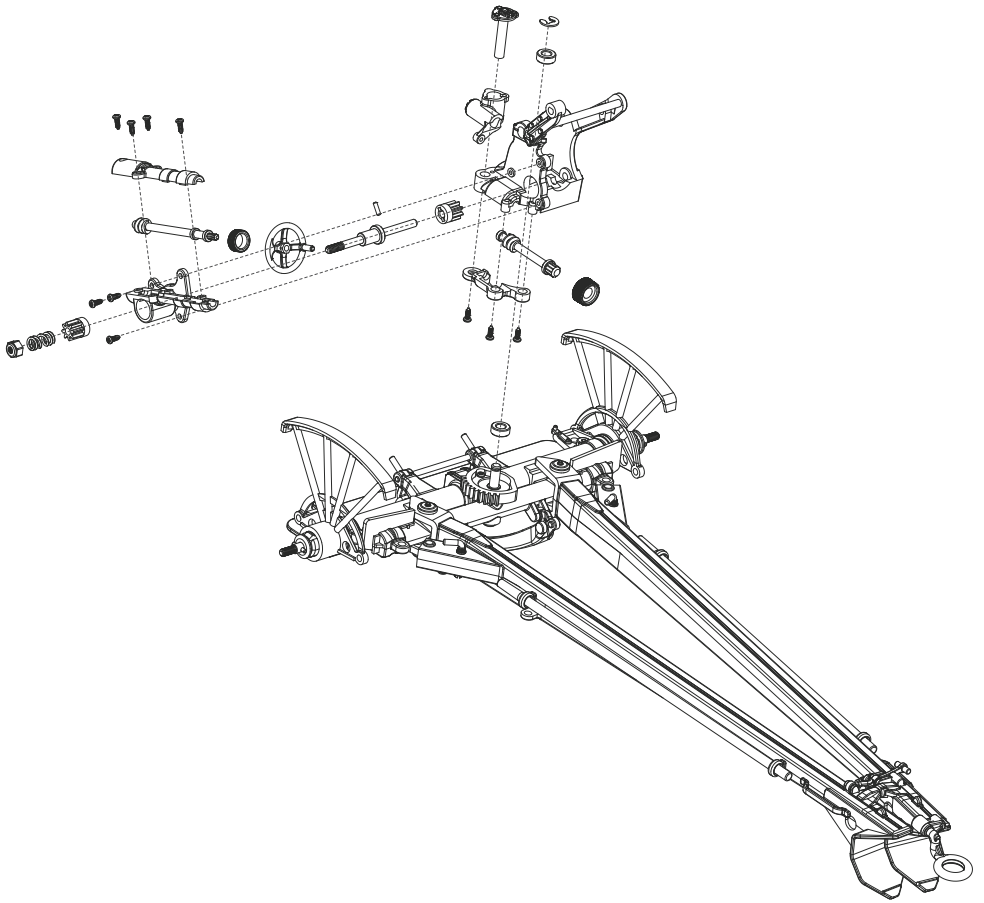


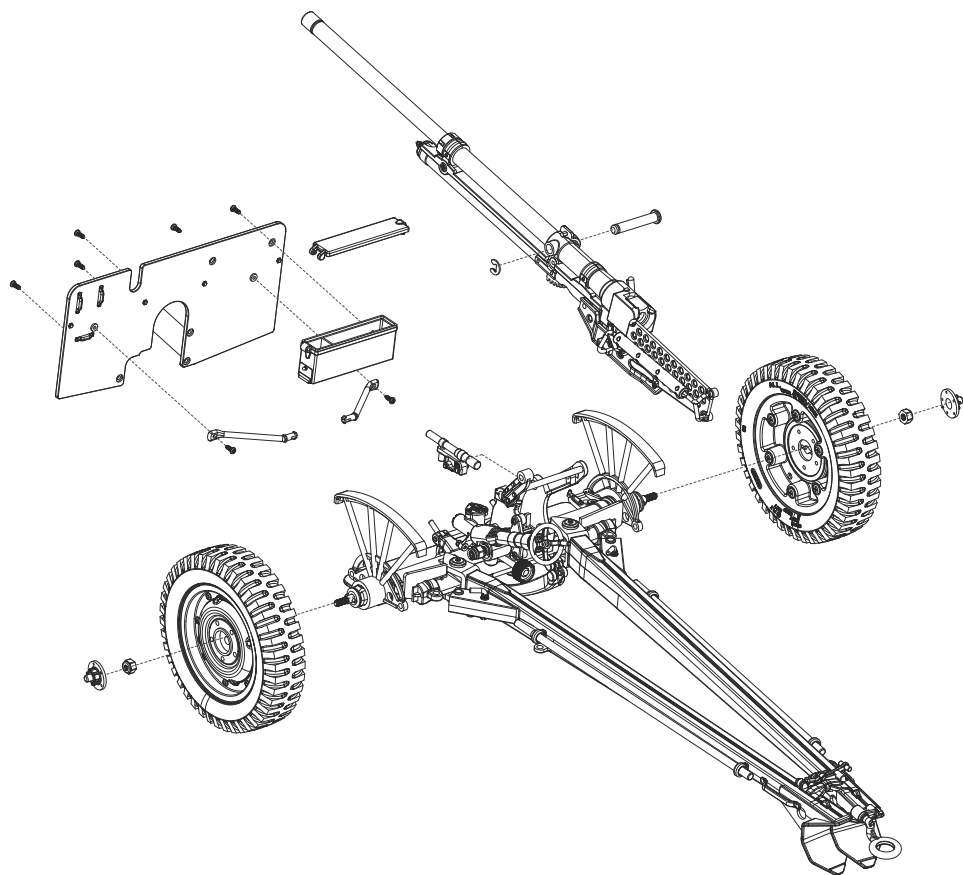
EN:Main Gun Set

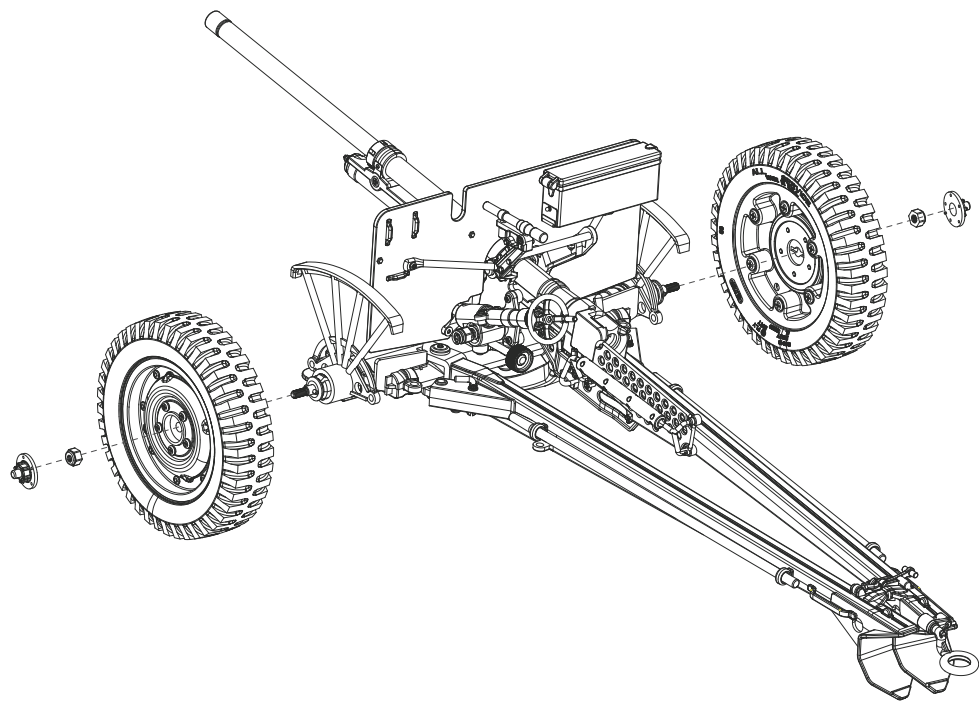
CN:主炮总成











RO HOBBY

MADE IN CHINA
CE   FC